







9. Chemical Liquid Tanks

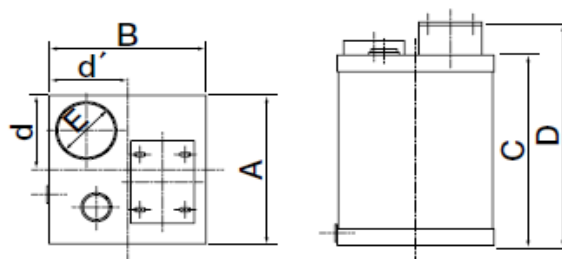
We have a lot of excellent tank models of the tank with high quality and safety, corrosion resistance, at low prices.

MODEL	IMAGE
<p>Hard PVC tanks (With a mixer stand and a base plate for metering pump.)</p>	
<p>Polyethylene tanks (With a base plate for metering pump.)</p>	
<p>Polyethylene tanks "System tanks" (With a mixer stand and a base plate for metering pump.)</p>	
<p>Large size Polyethylene tank Model-A, (Closed top and cylindrical type.)</p>	
<p>Large size Polyethylene tank Model-SP, (Closed top and cylindrical type.)</p>	
<p>Large size Polyethylene tank Model-MC, (Closed top and cylindrical type.)</p>	

9-1. Hard PVC Tanks (With a mixer stand and a base plate for metering pump.)

STANDARD MODEL SPECIFICATION (With metering pump base)

CAPACITY	Size (mm)							Adaptation product Metering Pumps
	A	B	C	D	E	Thickness	Weight (kg)	
50 ℓ	360	460	540	φ131	φ154	4	8	CR-1N,2N,3N,3-2N CRM-02,04,12,24 SPY-W30,60,100
100 ℓ	440	610	690				14	
200 ℓ	500	930	1,010				24	
300 ℓ	600	970	1,050	d×d' 300×200	5	34		
500 ℓ	740	1,010	1,090				46	
1,000 ℓ	1,066			d×d' 400×300	6	97		



SPECIAL MODEL SPECIFICATION

(With a stand for mixer, a base for metering pump and an iron reinforcement frame.)

CAPACITY	Size (mm)								Adaptation product	
	A	B	C	D	E	The Height Of The Mixer Stand	Thickness	Weight (kg)	Mixers	Metering Pumps
50 ℓ	445	460	540	φ 131	710	4	28	MKG-7HA	CR-1N,2N,3N,3-2N CRM-02,04,12,24 SPY-W30,60,100	
100 ℓ	525	610	690	φ 154	760	4	38			
200 ℓ	585	930	1,010		1,030	4	61	MKG-10H		
300 ℓ	685	970	1,050		1,050	5	76			
500 ℓ	825	1,010	1,090	d×d' 300×200	1,210	5	95	MKG-20H		
1000 ℓ	1,152			d×d' 400×300	1,160	6	158			

*Note:

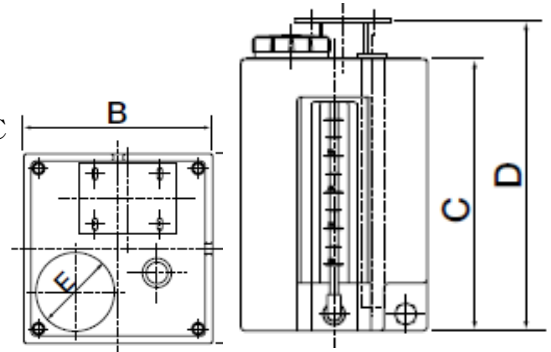
- The specific gravity limit is 1.2.
- The maximum temperature of the use liquid is 40°C.
- Please set up the tank horizontally.
- The material of the trestle for the mixer is SS.

9-2. Polyethylene TANKS (With an base for metering pump)

CAPACITY	Size (mm)					Weight (kg)	Adaptation product Metering Pumps
	A	B	C	D	E		
50 ℓ	390	575	653	φ 137	10	CR-1N,2N,3N,3-2N CRM-02,04,12,24 SPY-W30,60,100	
100 ℓ	470	695	773	φ 137	15		
200 ℓ	580	855	933	φ 170	30		

*Note:

- The specific gravity limit is 1.2.
- The maximum temperature of the use liquid is 40°C
- The standard is indoor specification.
- The suction side of the pump is hose specifications.
- There is also a rain-proof specification.

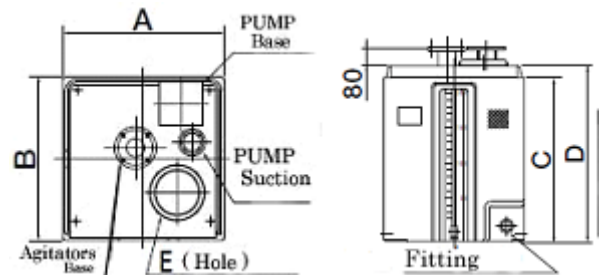


9-3. Polyethylene TANKS “System Tanks”

CAPACITY	Size (mm)					Weight (kg)	Adaptation product			
	A	B	C	D	E		Mixers		Metering Pumps	
							MODEL	Motor (W)	Model	Motor (W)
50 ℓ	400	390	470	525	φ 145	7	KVO-2508	25	CRM-02 ~24	25
100 ℓ	480	470	620	680	φ 145	12	KVO-4008	40	CR-1N ~3-2N	100
200 ℓ	600	600	700	750	φ 170	26	KVO-6008	60		
300 ℓ	750	750	740	790	φ 320	30	KVS-1008	100		
500 ℓ	870	870	870	920	φ 320	38	KVS-2008	200		
1000 ℓ	1,050	1,050	1,150	1,200	φ 320	102	KVS-4008 (L=1050/ D=350×2 (50Hz)、 320×2 (60Hz))	400		

*Note:

- The specific gravity limit is 1.3.
- The maximum temperature of the use liquid is 40°C.
- Please set up the tank on the foundation that is flat and smooth.
- The suction side of the pump is hose specifications.
- There are no installation holes at the base plate for the pump to install the pump. Please make holes when you install the pump.

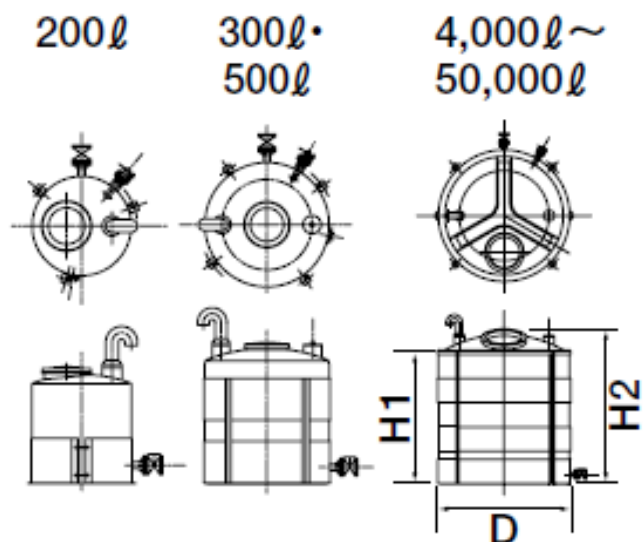


9-4. Polyethylene Tanks (Large size type A)

CAPACITY	Size (mm)			Hole	The Practicable Highest Liquid Temperature	
	ϕD	H1	H2			
200 ℓ	660	675	780	Hand hole $\phi 250$	40 °C	
300 ℓ	752	805	910		Man hole $\phi 485$	60 °C
500 ℓ	904	898	1,030			
4,000 ℓ	1,850	1,810	2,117			
5,000 ℓ	1,850	2,080	2,398			
6,000 ℓ	2,050	2,150	2,454			
8,000 ℓ	2,195	2,540	2,930			
10,000 ℓ	2,385	2,675	3,055			
15,000 ℓ	2,645	3,180	3,610			
20,000 ℓ	2,910	3,600	3,975			
30,000 ℓ	2,990	5,000	5,430			
40,000 ℓ	3,060	6,235	6,650			
50,000 ℓ	3,405	6,200	6,600			

*Note:

- The specific gravity limit is 1.3.
- Please set the tank on the firm, horizontal and flat foundation which can support the weight in full part of surface.

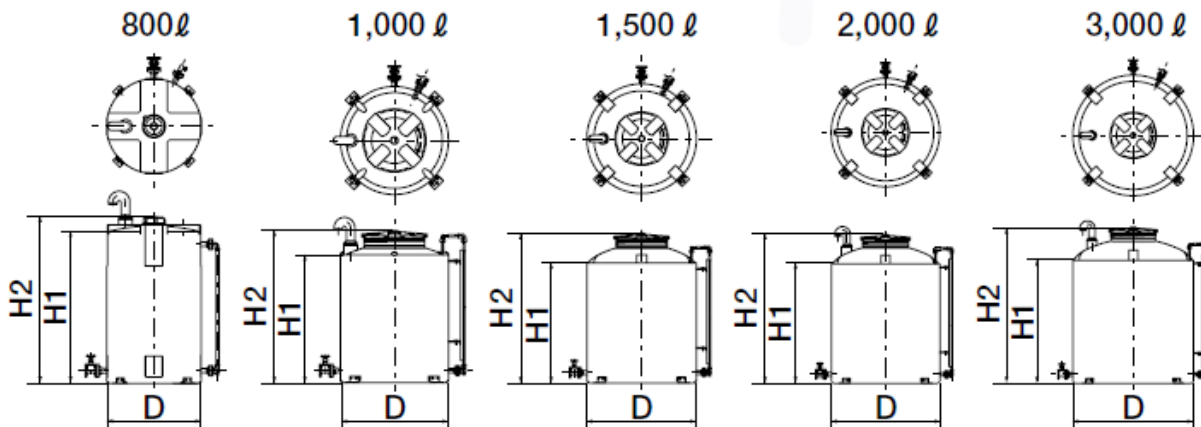


9-5. Polyethylene Tanks (Large size type SP)

CAPACITY	Size (mm)			
	ϕD	H1	H2	Hole
800 ℓ	900	1,440	1,580	Hand holl ϕ 155
1,000 ℓ	1,060	1,255	1,495	Man holl ϕ 485
1,500 ℓ	1,275	1,395	1,740	
2,000 ℓ	1,410	1,555	1,933	
3,000 ℓ	1,620	1,650	2,100	

*Note:

- The specific gravity limit is 1.3.
- The maximum temperature of the use liquid is 40°C
- Please set the tank on the firm, horizontal and flat foundation which can support the weight in full part of surface.

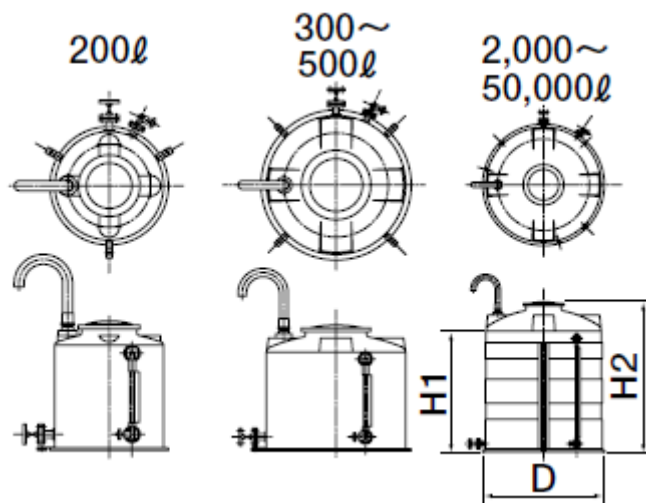


9-6. Polyethylene Tanks (Large size type MC)

CAPACITY	Size (mm)			Hole	Specific Gravity Limit
	ϕ D	H1	H2		
200 ℓ	670	650	800	Hand hole ϕ 280	1.3
300 ℓ	760	760	940		
500 ℓ	1,000	710	905	Hand hole ϕ 380	
750 ℓ	1,026	1,025	1,260		
1,000 ℓ	1,106	1,160	1,425		
1,500 ℓ	1,290	1,315	1,635		
2,000 ℓ	1,420	1,490	1,850	Man hole ϕ 500	1.6
3,000 ℓ	1,625	1,625	2,080		
4,000 ℓ	1,740	1,940	2,370		
5,000 ℓ	1,890	2,050	2,480		
6,000 ℓ	1,922	2,350	2,800		
8,000 ℓ	2,170	2,415	3,005		
10,000 ℓ	2,280	2,780	3,190		
15,000 ℓ	2,600	3,120	3,540		
20,000 ℓ	2,710	3,810	4,260		
30,000 ℓ	2,860	5,250	5,750		
40,000 ℓ	2,910	6,505	7,005	1.4	
50,000 ℓ	3,270	6,475	6,975		

*Note

- The maximum temperature of the usable liquid is 40°C.
- Please set the tank on the firm, horizontal and flat foundation which can support the weight in full part of surface.



■ Reference

Elepon E.C.A.P. Corporation

Shin-Daibiru Bidg, 1-2-1, Dojimahama, Kita-ku, Osaka, 530-0004, Japan

E-mail : sales@elepon.co.jp

URL : <http://www.elepon.co.jp>