

Dehydration Unit

1-1. Elepon E.C.A.P. Corporation - Dehydration Unit -

I. Portable type -----

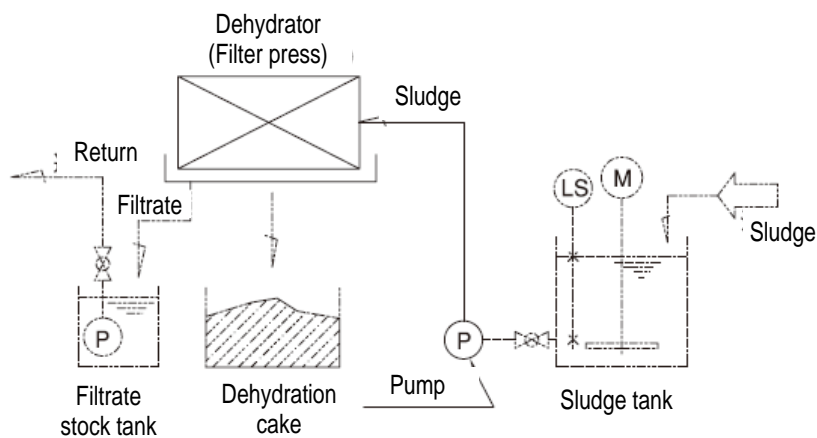
■ Features

- Both inorganic and organic sludge can be dehydrated.
- Setting of the dehydration unit can be matched with slurry condition.
- Automatic operation from starting to ending of dehydration
- Low operation cost in term of energy saving as electricity volume 0.4 – 0.75kW



■ Overview

- Easy installation and operation in terms of small-sized compact unit

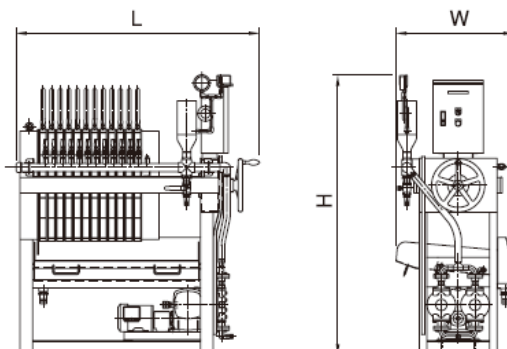


Flow diagram of treatment system

■ Performance/Specifications

- Specifications of S, DS series

Type	Filtration area (m ²)	Filtration volume (L)	No. of filtration units	Filter plate material	Size (mm)			Weight (kg)
					L	W	H	
S- 15	1.6	20	6	SUS	1,020	500	1,190	160
DS- 50	4.0	55	6	SUS	1,140	690	1,655	380
DS- 100	8.0	110	12	SUS	1,440	690	1,655	540
DS- 150	12.0	165	18	SUS	1,740	690	1,655	680
DS- 200	16.0	240	24	SUS	2,140	690	1,655	820



■ Applications/Experience

- Sludge drained from industrial wastewater treatment equipment
- Wastewater from metal processing such as metal plating, painting, alumite, brass, stainless processing, pickling etc.
- Wastewater from ball ink, dying printing, etching, polishing
- Wastewater from activate carbon removal, ferrite dehydration, chemistry product, collection of valuable metal
- Wastewater from automobile maintenance business, laboratory, institute

II. Manual, semi-automatic type -----

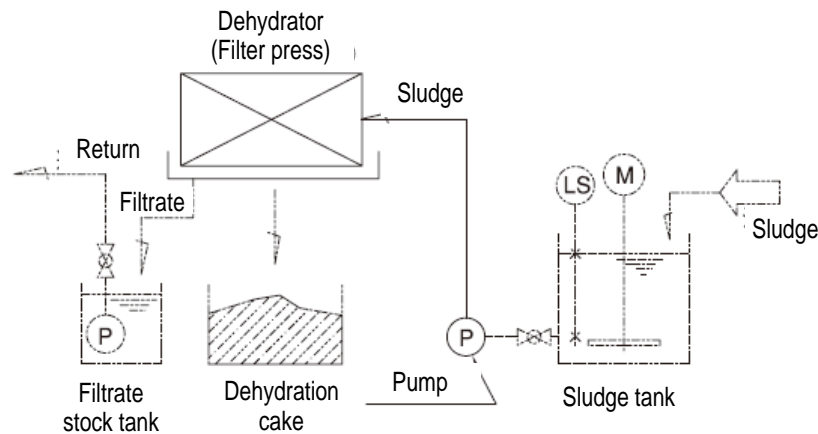
■ Features

- Filter plate made of synthetic resins makes the unit long in life..
- Little trouble in terms of simple structure and easy maintenance
- Low cost for operation (electricity, filtration solvent etc.) and maintenance and economy
- Light weight in comparison with casting, iron material



■ Overview

- Raw materials collection from various product field and dehydration of filtration and slurry can be exhibited tremendous power in terms of middle/big-sized unit.

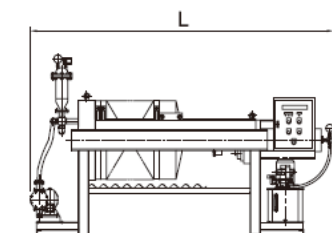


Flow diagram of treatment system

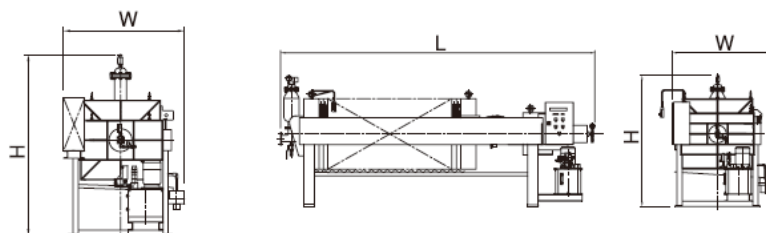
■ Performance/Specifications

- Specifications of SPS, KDA, DAX series

Type	Filtration area (m ²)	Filtration volume (L)	Cake depth (mm)	No. of filtration units	Filter plate material	Filter plate size (mm)	Size (mm)			Weight (kg)
							L	W	H	
SPS- 15M	1.59	19.5	30	3	PP	□600	1,790	970	1,550	450
SPS- 30M	3.18	39	30	6	PP	□600	1,990	970	1,550	500
SPS- 50M	4.24	52	30	8	PP	□600	2,150	970	1,550	530
KDA- 50M	4.5	55	25	5	PP	□750	2,370	1,140	1,725	1,100
KDA- 100M	8.1	99	25	9	PP	□750	2,600	1,140	1,725	1,250
KDA- 150M	11.7	143	25	13	PP	□750	2,830	1,140	1,725	1,350
KDA- 200M	15.3	187	25	17	PP	□750	3,105	1,140	1,725	1,500
KDA- 300M	22.5	275	25	25	PP	□750	3,565	1,140	1,725	1,700
KDA-400SA	29.7	363	25	33	PP	□750	4,150	1,140	1,900	2,000
DAX- 14SA	33.6	504	30	21	PP	□1,000	3,885	1,415	1,860	4,100
DAX- 16SA	40.0	600	30	25	PP	□1,000	4,145	1,415	1,860	4,500
DAX- 19SA	48.0	720	30	30	PP	□1,000	4,470	1,415	1,860	5,000



SPS, KDA series



DAX series

■ Applications/Experience

- Sludge drained from industrial wastewater treatment equipment
- Wastewater from metal processing such as metal plating, painting, alumite, brass, stainless processing, pickling etc.
- Wastewater from ball ink, dying printing, etching, polishing
- Wastewater from activate carbon removal, ferrite dehydration, chemistry product, collection of valuable metal
- Wastewater from automobile maintenance business, laboratory, institute

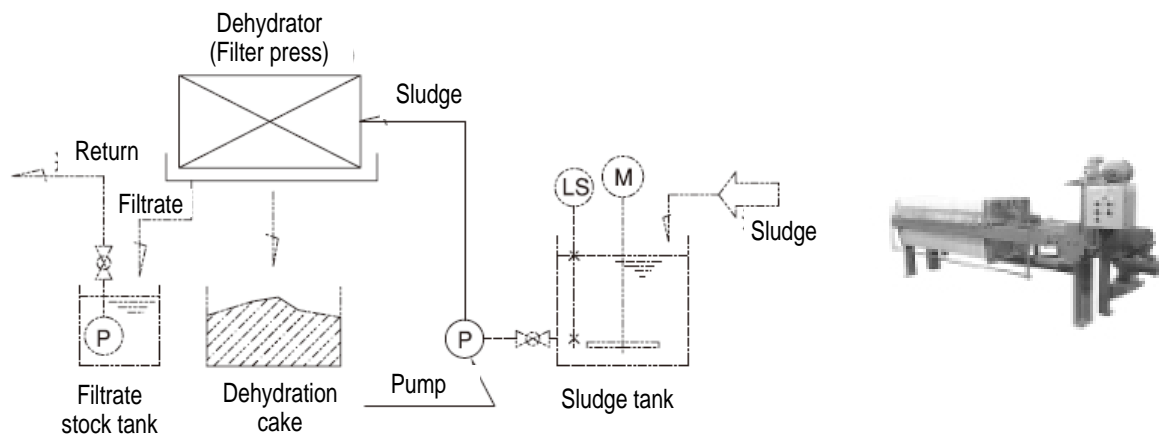
III. One-man type -----

■ Features

- Filter plate handle of one-man filter plate driving equipment connects by crimp with drive chain-belt
- Safety operation by no part of drive in an operator side
- As opening and shutting of filter plate, filter plate can be moved to any direction by switching in forward/reverse rotation of drive chain-belt. Inclination of filter plate and V-shaped open can be done to enable separate cake out of filter cloth

■ Overview

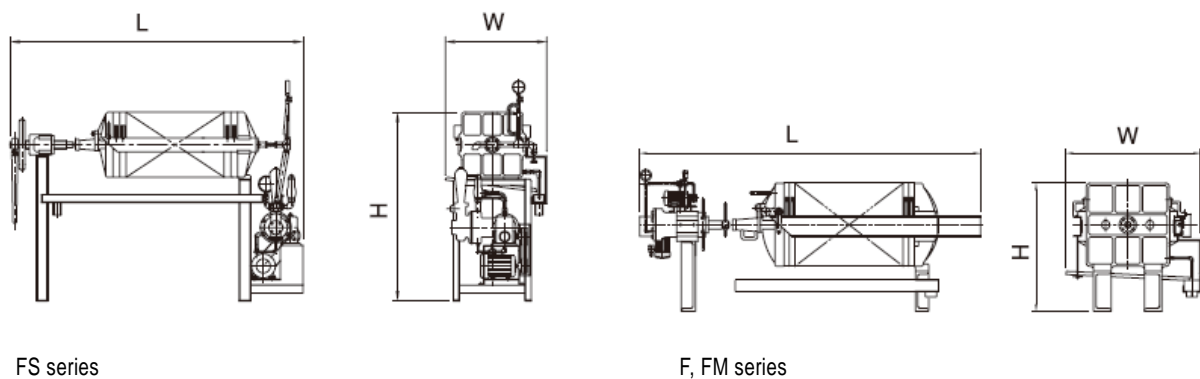
- Only one person can operate opening and shutting of filter plate and separate dehydration cake using filter plate driving equipment



Flow diagram of treatment system

■ Performance/Specifications

- Specifications of F series



Type	Filtration area (m ²)	Filtration volume (L)	Cake depth (mm)	No. of filtration units	Filter plate material	Filter plate size (mm)	Size (mm)			Weight (kg)
							L	W	H	
FS-1C -15	1	7	15	5	PP	□390	1,180	650	1,210	100
-20	1	10	20	5	PP	□390	1,200	650	1,210	130
-30	1	15	30	5	PP	□390	1,420	650	1,210	150
FS-2C -15	2	15	15	9	PP	□390	1,350	650	1,210	200
-20	2	20	20	9	PP	□390	1,380	650	1,210	230
-30	2	30	30	9	PP	□390	1,650	650	1,210	250
FS-3C -15	3	22	15	13	PP	□390	1,180	650	1,210	300
-20	3	30	20	13	PP	□390	1,200	650	1,210	330
-30	3	45	30	13	PP	□390	1,420	650	1,210	350
FS-4C -15	4	30	15	17	PP	□390	1,690	650	1,210	400
-20	4	40	20	17	PP	□390	1,740	650	1,210	430
-30	4	60	30	17	PP	□390	2,110	650	1,210	450
FS-5C -15	5	37	15	21	PP	□390	1,850	650	1,210	500
-20	5	50	20	21	PP	□390	1,920	650	1,210	530
-30	5	75	30	21	PP	□390	2,340	650	1,210	550
FS-6C -15	6	45	15	25	PP	□390	2,020	650	1,210	600
-20	6	60	20	25	PP	□390	2,100	650	1,210	630
-30	6	90	30	25	PP	□390	2,560	650	1,210	650
FS-7C -15	7	52	15	29	PP	□390	2,190	650	1,210	700
-20	7	70	20	29	PP	□390	2,280	650	1,210	730
F-5C -15	5	37	15	19	PP	□460	1,880	700	730	700
-20	5	50	20	19	PP	□460	1,975	700	730	750
-30	5	75	30	19	PP	□460	2,180	700	730	800
F-7C -15	7	52	15	26	PP	□460	2,170	700	730	800
-20	7	70	20	26	PP	□460	2,305	700	730	900
-30	7	105	30	26	PP	□460	2,580	700	730	950
FM-10C-15	10	75	15	20	PP	□600	2,300	1,140	1,050	1,300
-20	10	100	20	20	PP	□600	2,410	1,140	1,050	1,400
-30	10	150	30	20	PP	□600	2,620	1,140	1,050	1,500
FM-15C-15	15	112	15	30	PP	□600	2,720	1,140	1,050	1,500
-20	15	150	20	30	PP	□600	2,880	1,140	1,050	1,580
-30	15	225	30	30	PP	□600	3,190	1,140	1,050	1,650
FM-20C-15	20	150	15	24	PP	□750	2,830	1,300	1,150	2,600
-20	20	200	20	24	PP	□750	2,960	1,300	1,150	2,700
-30	20	300	30	24	PP	□750	3,200	1,300	1,150	2,800
FM-30C-15	31	230	15	25	PP	□900	3,060	1,350	1,350	3,600
-20	31	307	20	25	PP	□900	3,200	1,350	1,350	3,800
-30	31	460	30	25	PP	□900	3,460	1,350	1,350	4,000
FM-40C-15	41	307	15	34	PP	□900	3,440	1,350	1,350	4,000
-20	41	410	20	34	PP	□900	3,620	1,350	1,350	4,200
-30	41	615	30	34	PP	□900	3,970	1,350	1,350	4,400
FM-50C-15	51	382	15	42	PP	□900	3,440	1,350	1,350	4,000
-20	51	510	20	42	PP	□900	3,620	1,350	1,350	4,200
-30	51	765	30	42	PP	□900	3,970	1,350	1,350	4,400
FM-60C-15	60	450	15	40	PP	□1,000	4,080	1,550	1,500	5,300
-20	60	600	20	40	PP	□1,000	4,280	1,550	1,500	5,600
-30	60	900	30	40	PP	□1,000	4,690	1,550	1,500	5,800
FM-80C-15	80	600	15	53	PP	□1,000	4,690	1,550	1,500	6,000
-20	80	800	20	53	PP	□1,000	4,960	1,550	1,500	6,300
-30	80	1,200	30	53	PP	□1,000	5,500	1,550	1,500	6,600
FM-100C-15	100	750	15	66	PP	□1,000	5,300	1,550	1,500	7,000
-20	100	1,000	20	66	PP	□1,000	5,630	1,550	1,500	7,500
-30	100	1,500	30	66	PP	□1,000	6,300	1,550	1,500	8,000

■ Applications/Experience

- Sludge drained from industrial wastewater treatment equipment
- Wastewater from metal processing such as metal plating, painting, alumite, brass, stainless processing, pickling etc.
- Wastewater from ball ink, dying printing, etching, polishing
- Wastewater from activate carbon removal, ferrite dehydration, chemistry product, collection of valuable metal
- Wastewater from automobile maintenance business, laboratory, institute

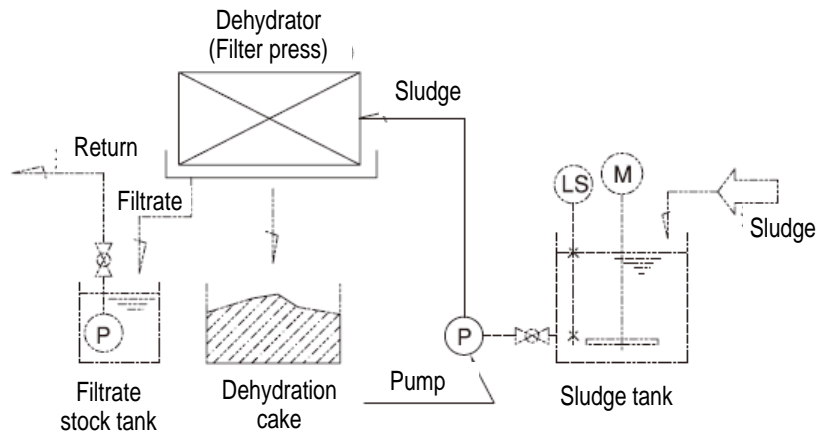
IV. Compression type -----

■ Features

- Generating cake with low water content by function of compression
- Shortening dehydration treatment time
- Decrease cost of industrial solid waste by cake volume reduction *cf.* comparison with our company

■ Overview

- The unit type adds an improvement function of dehydration efficiency(*direct compression to dehydration cake in filtration unit) to manual, semi-automatic type.



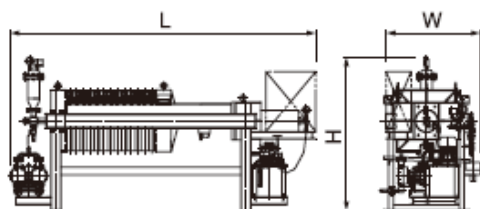
Flow diagram of treatment system

■ Performance/Specifications

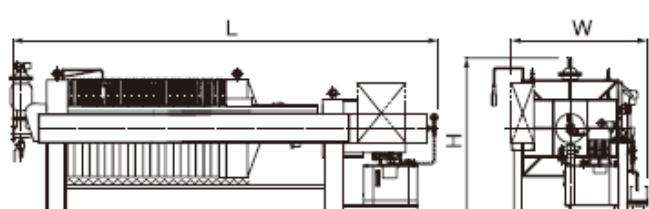
- Specifications of KYS, KY, KYX series

Type	Filtration area (m ²)	Filtration volume (L)	Cake depth (mm)	No. of filtration units	Filter plate material	Filter plate size (mm)	Size (mm)			Weight (kg)
							L	W	H	
KYS-50MSP	3.06	51	35	6	PP/ Santoprene	□600	2,605	970	1,550	1,100
KYS-100MSP	6.12	102	35	12	PP/ Santoprene	□600	3,065	970	1,550	1,300
KYS-150MSP	9.18	153	35	18	PP/ Santoprene	□600	3,525	970	1,550	1,500
KYS-200MSP	12.24	204	35	24	PP/ Santoprene	□750	3,985	970	1,550	1,700
KY- 16SA	13.28	211.2	35	16	PP/ Santoprene	□750	3,170	1,200	1,700	1,770
KY- 18SA	14.94	237.6	35	18	PP/ Santoprene	□750	3,450	1,200	1,700	1,850
KY- 22SA	18.26	290.4	35	22	PP/ Santoprene	□750	3,725	1,200	1,700	2,010
KY- 26SA	21.58	343.2	35	26	PP/ Santoprene	□750	4,010	1,200	1,700	2,170
KY- 30SA	24.9	396	35	30	PP/ Santoprene	□750	4,280	1,200	1,700	2,330
KY- 34SA	28.22	448.8	35	34	PP/ Santoprene	□750	4,560	1,200	1,700	2,490
KYX- 18SA	29.7	537.3	39	18	PP/ Santoprene	□1,000	4,220	1,500	1,700	3,470
KYX- 22SA	36.3	656.7	39	22	PP/ Santoprene	□1,000	4,530	1,500	1,700	3,670
KYX- 26SA	42.9	776.1	39	26	PP/ Santoprene	□1,000	4,845	1,500	1,700	3,870
KYX- 30SA	49.5	895.5	39	30	PP/ Santoprene	□1,000	5,160	1,500	1,700	4,070
KYX- 32SA	52.8	955.2	39	32	PP/ Santoprene	□1,000	5,320	1,500	1,700	4,230

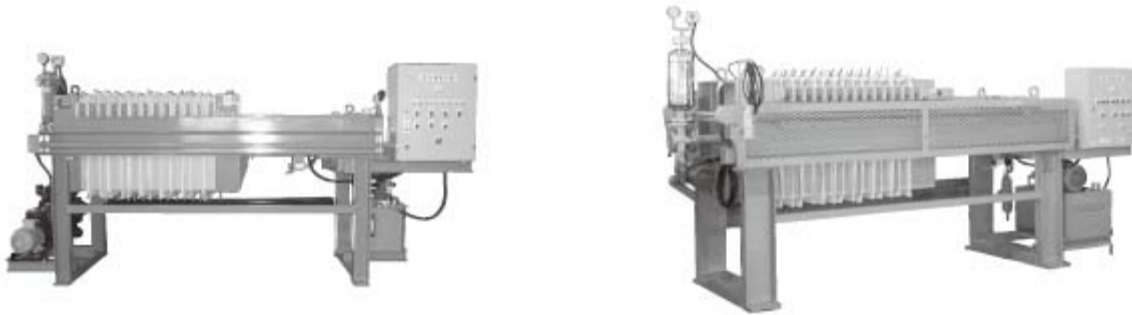
Note: KY, KYX series adopt open plate method using electric drive



KYS series



KY, KYX series



■ Applications/Experience

- Sludge drained from industrial wastewater treatment equipment
- Wastewater from metal processing such as metal plating, painting, alumite, brass, stainless processing, pickling etc.
- Wastewater from ball ink, dying printing, etching, polishing
- Wastewater from activate carbon removal, ferrite dehydration, chemistry product, collection of valuable metal
- Wastewater from automobile maintenance business, laboratory, institute

■ Reference

Elepon E.C.A.P. Corporation

Shin-Daibiru Bidg, 1-2-1,Dojimahama,Kita-ku,Osaka,530-0004,Japan

E-mail : sales@elepon.co.jp

URL : <http://www.elepon.co.jp>